

Cor-Vision Plus Sliding System with thermal break

Minimalistic sliding system specially suitable for large dimensions, which allows to have the maximum luminosity with the minimum visible section of aluminium, and makes possible to cover great openings with a glass surface of 94%.

Its extraordinary glazing capacity allows to place glasses of up to 54 mm thickness which guarantees the best acoustic and thermal performance in a system with these characteristics.

It is available in configurations of fixed and sash, 2 and 4 sashes, and the maximum dimensions are 4.000 mm/sash width / height.

It has a visible section of just 25 mm and the possibility to inlay totally the bottom, lateral and top frames.

It counts with the possibility of motorized opening for weights up to 700 kg, and manual opening for up to 400 kg. Additionally, it allows to place multipoint lock systems by operating rod, with or without key.

The rollers are placed in the frame, and the sashes count with a stainless steel reinforced channel which makes the sliding movement smoother.

That is a system with a traditional procedure of assembling with a perimeter frame, 45 degree cut; and straight cut in the sashes, which allows to disassemble the sash in case of break of the glass, imperfection in the aluminium profile,...



Cor-Vision Sliding System with thermal break

An avant-garde design of a thermally broken sliding system that permits maximum luminosity with the minimum amount of seen aluminium profile section. An elegance in design that looks to cover great light spaces with minimum frame fragments from 8% of the total surface. It shows seen centre junction sections of only 20 mm, in the lateral junction at 77 mm and the top/bottom junctions at 57 mm.

Possibility of inlaying the bottom, top and lateral frames.

Possibility of sash meetings at a 90° corner without a mullion.

In its monochannel version, comprising of fixed and sash, the hidden rail is found in the fixed area.

It incorporates the new type of **GALANDAGE** that is designed to allow the possibility of an integral opening in the space to completely conceal the sashes in the building curtain wall chamber. In this way a 100% opening surface can be achieved.

This **GALANDAGE** option is made up of a single and dual channel rail which allows for a single or double sash concealed balcony doors.

This presents a new type of frame for 1, 2 or 3 rails that allows the incorporation of a stainless steel rail that affords increased sliding smoothness, an increase in loading support for the bearings (up to 320 kg/sash) and increased durability.

A system with traditional fitting procedures with perimetral frame and sashes that allows the sash to be dismantled in case of glass breakage, damage to the aluminium profile etc. It incorporates a rod operated multipoint lock.



Cor-Vision Plus Sliding System with thermal break

Transmittance

Uw from 0,9 (W/m²K)

Please consult typology, dimensions and glass

Acoustic insulation

Maximum glazing: 54 mm.

Maximum acoustic insulation **Rw=43 dBA**

Finishes

Possibility of dual colour

Colour powder coating (RAL, mottled and rough)

Wood effect powder coating

Anti-bacterial powder coating

Anodized



Sections

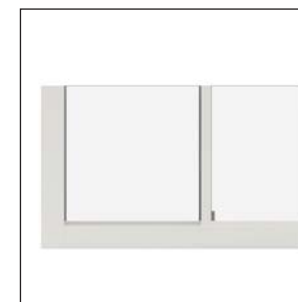
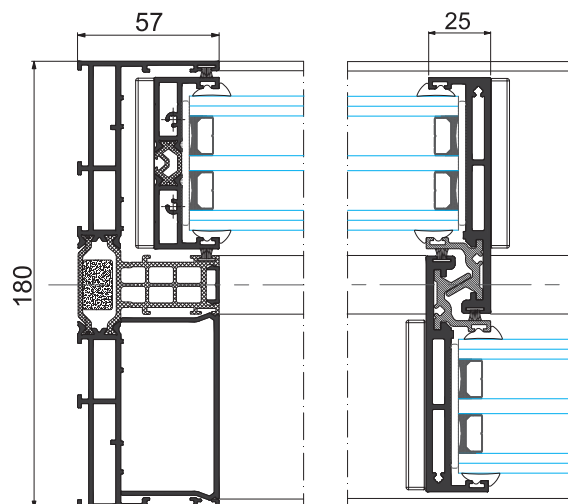
Frame 180 mm.

Sash 69 mm.

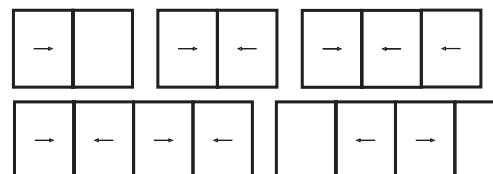
Profile thickness

Door 2,0 mm.

Polyamide strip length from 18 mm. to 40 mm.



Opening possibilities



Sliding of 2, 3 & 4 sashes.
Possibility of 1 rail (1 sash+1 fixed light).

Maximum dimensions/sash

Width (L) = 4.000 mm.
Height (H) = 4.000 mm.
Glass surface ≤ 14 m²

Please consult regarding maximum weight and dimensions for other opening types

Maximum weight/sash

400 Kg Manual
700 Kg Motorized

Cor-Vision Sliding System with thermal break

Transmittance

Uw from 1,3 (W/m²K)

Please consult typology, dimensions and glass

Acoustic insulation

Maximum glazing: 30 mm.

Maximum acoustic insulation **Rw=41 dBA**

Finishes

Possibility of dual colour

Colour powder coating (RAL, mottled and rough)

Wood effect powder coating

Anti-bacterial powder coating

Anodized

Categories achieved at test centre

Air permeability
(EN 12207:2000): Class 4

Water tightness
(EN 12208:2000): Class 7A

Wind resistance
(EN 12210:2000): Class C5
Reference test 1,23 x 1,55 m. 1 sash + 1 fixed light



Sections

Frame 116 mm.

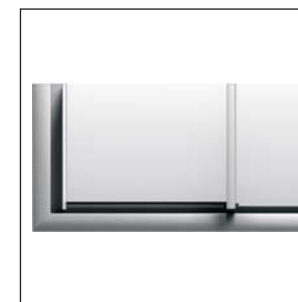
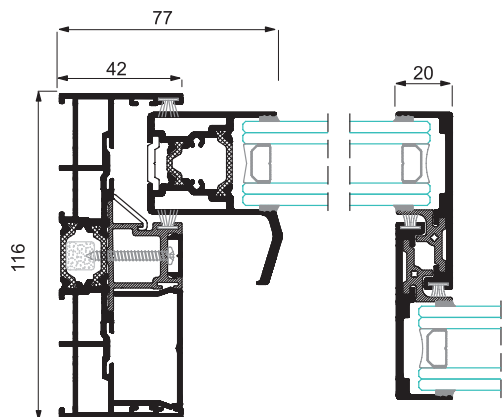
182 mm. 3 rails

Sash 37 mm.

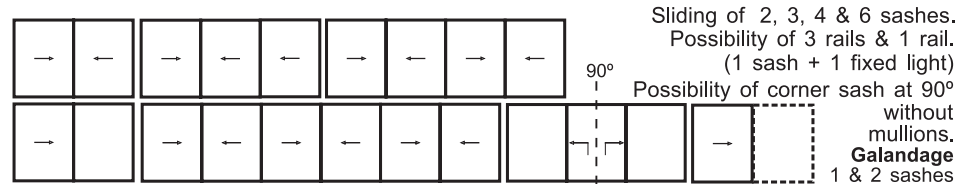
Profile thickness

Door 1,7 mm.

Polyamide strip length from 16 mm. to 24 mm.



Opening possibilities



Maximum dimensions/sash

Width (L) = 2.200 mm.
Height (H) = 3.000 mm.

Maximum weight/sash

320 Kg.

Please consult regarding maximum weight and dimensions for other opening types