



FOR YOUR MONUMENTAL VIEW



CALIFORNIA INSPIRATION

Spectacular views deserve the best window and door systems available. By choosing windows, sliding doors, pivoting doors, or the newest “slim” **Sublinear** sliding glass door systems from Monumental, you guarantee delivery of a monumental view from the comfort of your living space.

CALIFORNIA INNOVATION + DESIGN

Our patent-pending “reverse rolling system” for the new **Sublinear** sliding glass door systems gives the homeowner the confidence of on-track performance, easy cleaning, and minimal maintenance. Built with California innovation, the **Sublinear** track assembly disappears into the floor giving an unbroken Monumental view.

CALIFORNIA BUILT

With 6-10 week delivery times for custom-made Monumental sliding glass doors, swing doors, and window products—we won't hold up your project. Why wait 14-24 weeks for products that are available to builders, architects, and luxury home buyers today? Just send in your specifications and the build is underway. Monumental delivers.

EXPERIENCE + MODERN CRAFTSMANSHIP

The Monumental WD team serves you with over 40 years experience in delivering luxury windows and doors. We are dedicated to building the best products for your home, using the best materials and state-of-the-art equipment available. We utilize equipment in our own manufacturing plant that some outsource for convenience. It's all in-house at Monumental.

4500 Standard Slide & 4550 Vari-Slide™ Doors

Our 4500 Standard Slide and 4550 Vari-Slide™ sliding glass doors are produced using thermally-broken aluminum for better energy-efficiency and beautiful durability. Both are designed to accommodate huge glass panels up to 8 feet wide and 12 feet tall.



4550 Vari-Slide™ flush sill shown with riser

FEATURES

- Tested to AAMA standards
- Excellent energy performance values
- Custom-built to order
- Many configurations to choose from
- Precision Stainless Steel Tandem Rollers
- Maximum security laminated Hook-Lock

OPTIONS

- Flush Sill or Slim-Track™
- Pocketing, Slide-By, or All-Slide
- EZ-Guide, Super-Glide, or Monumental Glide Rollers
- Automation

THE NEW STANDARD IN EXCELLENCE

- Superior energy performance
- Lower cooling and heating costs
- Increased natural lighting with lower thermal transfer
- Slim design and narrow profiles



4550 Slim Track

SLIM DESIGN PULLS & FLUSH HARDWARE

All hardware is mounted flush. Standard pulls are designed to fit on a narrow stile door. Add almost any type of pull to your design.

MAXIMUM SECURITY LOCK

Our latch assembly is precision-milled from solid bar stock and incorporates a large actuator for fingertip lock activation.

Our laminated hook-lock is an industry standard and exceeds forced-entry requirements.



2100 Series Windows

2100F SERIES

The 2100F series fixed window is a thermally-broken, traditional style window with a 2-5/16" x 1-3/4" profile that is factory sealed and assembled for block, nail-on, and retro-fit applications. Available in single and multi-lite configurations.

2100 SERIES PROJECTED WINDOWS

- 2100A Awning (project-out)
- 2100C Casement (project-out)
- 2100H Hopper (project-in)

The 2100 series projected windows are thermally-broken and fabricated for 1" glazing. All corners are mitered, sealed, and mechanically fastened. Our uniquely designed insect screen requires no unsightly clips resulting in a neat, modern finish.

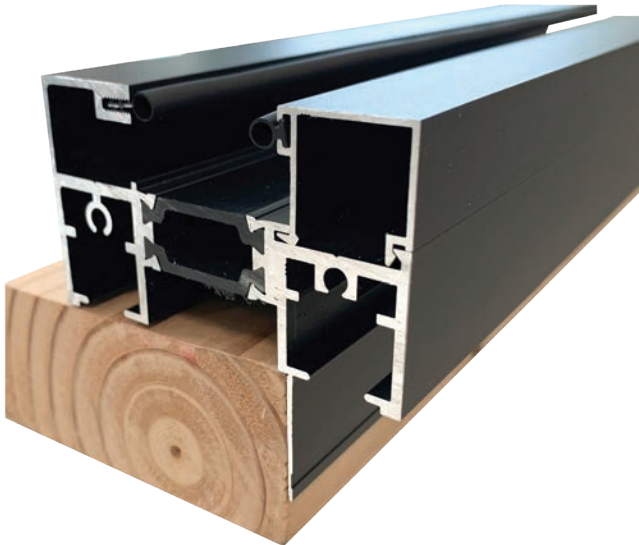
- Awnings and Hoppers employ concealed 4-bar stainless steel hinges.
- Casements use stainless steel pinned butt hinges in matching finishes. Concealed hinges are also available.
- Awning and casements available with push-out or rotary hardware.
- Hoppers are available with hardware for manual or pole operation.
- All available in single and multiple sash combinations.



3000 Series Windows

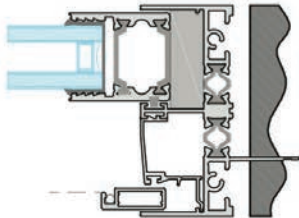
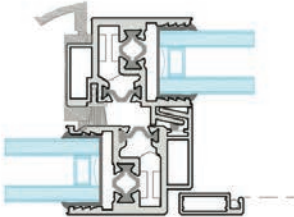
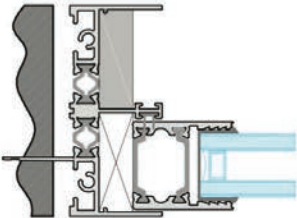
3000F SERIES

The 3000F series fixed window is thermally-broken and fabricated for 1" glazing. It has a 3-1/8" x 1-7/8" profile and is factory sealed and assembled. Available in numerous configurations, including corners, multi-lite and window walls.



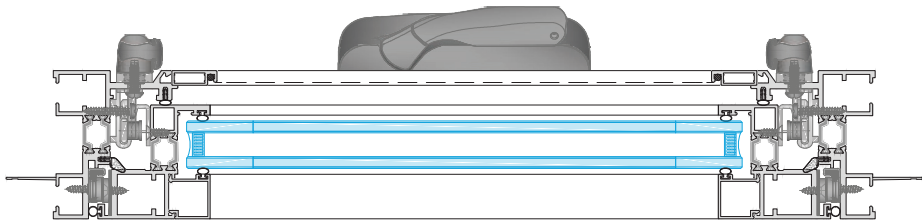
3000S SERIES

The 3000S series horizontal sliding window is a premium quality sliding window available in numerous standard and custom configurations. It is thermally-broken and fabricated for 1" glazing. The durable self-latching hardware ensures that the window is locked when the vent is closed and is designed to integrate with the 3000F window system.

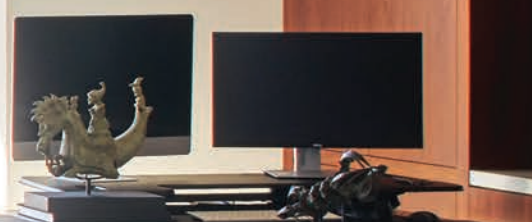


The 3000P series projected windows are rich in appearance and performance. Thermally-broken and available in large sizes, casements and awnings are built with stylish rotary hardware and multi-point locks. Designed to integrate with the 3000F series fixed windows.

3000P SERIES







4510 Bi-Fold Inline Doors

The 4510 bi-fold are thermally-broken and designed as a bottom-weighted system, without the hassle of extra engineering or structural support. The inline door system is manufactured to support oversize panels while offering slim sightlines.



FEATURES & BENEFITS

- Maximum weight 265 lbs per panel
- Maximum 48" panel width
- Intermediate doors have concealed twin-point locks. Keyed cylinders are available as an option.

- Option for outside access on any configuration
- Color matched handles and magnetic door holders
- Adjustable jamb options
- Custom finishes available





4580 Window Wall

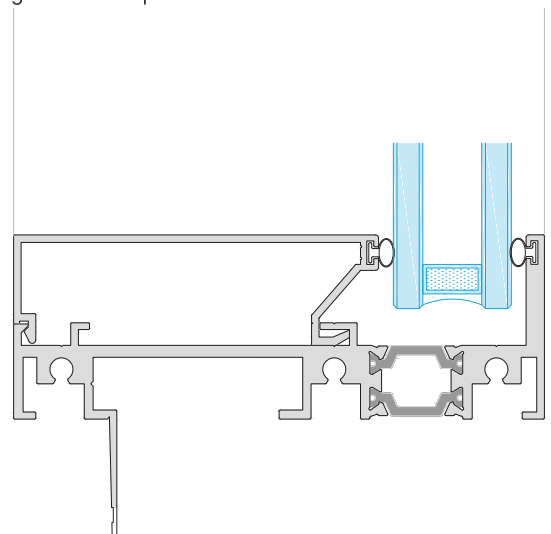
The 4580 Window Wall is manufactured for stout construction and design flexibility. The frame is designed to fully integrate with our products into multiple panel and window wall configurations, maintaining even sightlines and profiles.

ENERGY-EFFICIENT GLAZING

As with all of our products, the 4580 Window Wall is NFRC tested and California compliant, with Energy-Star rated glazing. We offer myriad high performance glass options, including security glass.

STRENGTH

The 4580 Window Wall can be steel reinforced to support oversize glass. Our slim profiles offer strength without compromising your view.







INTRODUCING

5000 Sublinear Sliding Door Systems

Transform your living space with Sublinear sliding glass door systems designed for Monumental views. We design our products to be the most attractive, functional, and energy-efficient available. With 7/8" slim vertical and sill rails—and flush perimeter sightlines—you're guaranteed a Monumental view. The low profile sill glides just above your flooring with minimal effort, sealing against drafts and critters. Our perimeter frames are designed to be installed flush with your finished surfaces for a neat, uninterrupted view. Our sill assembly is comfortable to walk on barefoot with no protruding edges.

There's more to this unique slim-line sliding glass door system's inspiring designs: Our patent-pending "reverse rolling system" gives the homeowner the confidence of on-track performance, easy cleaning, and minimal maintenance. Built with California innovation, the Sublinear track assembly disappears into the floor, giving an unbroken Monumental view. Slide / Pivot / or Pocket, you design the look and feel of your sliding glass door systems. Custom made with modern craftsmanship, our experience gives you an unparalleled delivery time promise, making Monumental Windows and Doors a homeowners, architects, and builder's dream.

REVERSE ROLLING TECHNOLOGY

The 5000 Series Sublinear System works on the patent-pending principle of a reversed rolling assembly, meaning the track—which would normally be part of the sill assembly—is integrated into the bottom of the sliding panel and the roller cartridges are placed into the sill.

ROLLER CARTRIDGE

Our roller cartridge houses twin polyamide precision rollers that can support approximately 350lbs each. The polyamide wheel creates a more quiet and durable operation over its stainless steel counterparts. If necessary, the cartridge is easily serviceable by a single technician without removal of the sliding panel or damage to the surrounding floor.

BAREFOOT SILL

The sill of the 5000 Series Sublinear System is designed to integrate into the flooring, which runs through to the exterior, without raised tracks and largely hidden from view. In fact, when the doors are closed, there is no track visible from the exterior.

MINIMAL FRAME

The frame of the 5000 Series Sublinear System is designed to install flush with interior and exterior finishes, allowing a more accessible view and less visible frames. The sill and panel interlocks both have narrow 7/8" sightlines—all other panel parts can be concealed in the frame.

GLASS PACKAGES

Our panels are designed with security in mind and to be impact-resistant. They also accommodate a 1.50" overall glass thickness, which allows greater flexibility for larger sizes. Our myriad energy-efficient glass options are Made in America by the suppliers most respected for visual quality and performance.

FRAME FINISHES

Standard finishes are Dark Bronze Anodized (Class 1) and Clear Anodized (Class 1). Custom colors and finishes are also available.



CONFIGURATIONS

We offer numerous configurations including Standard Sliding, Pocketing, Vari-Slide, Custom-Angle, etc., with single and multiple panels. Our sliding Sublinear system will also integrate with our Sublinear Pivot door system.

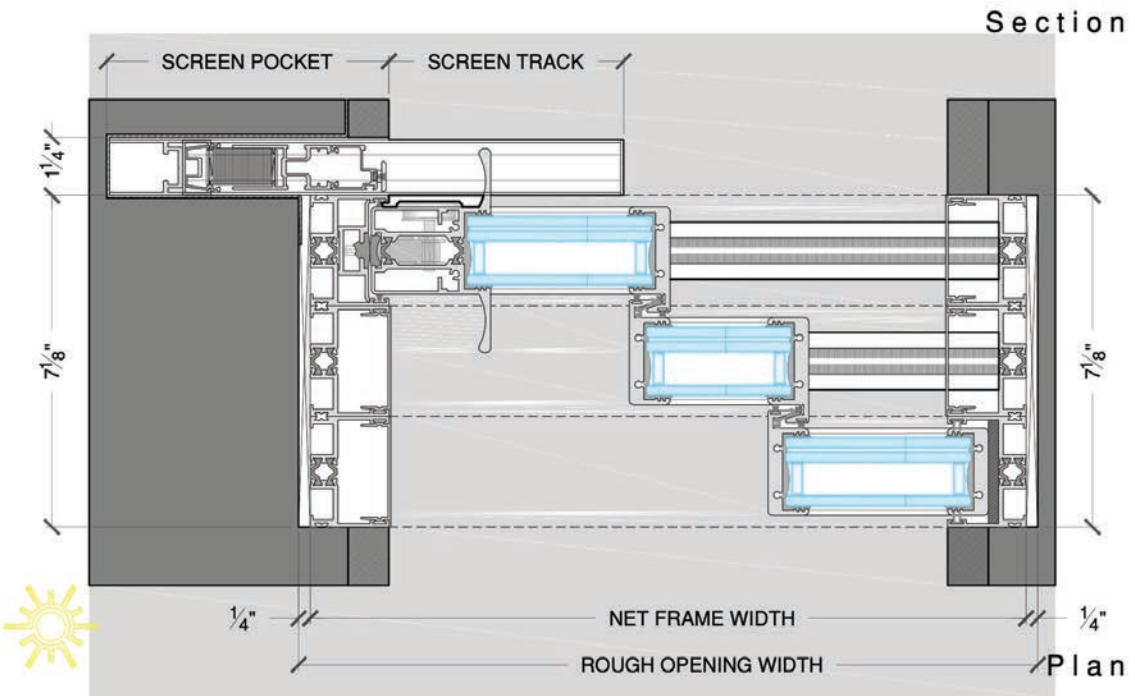
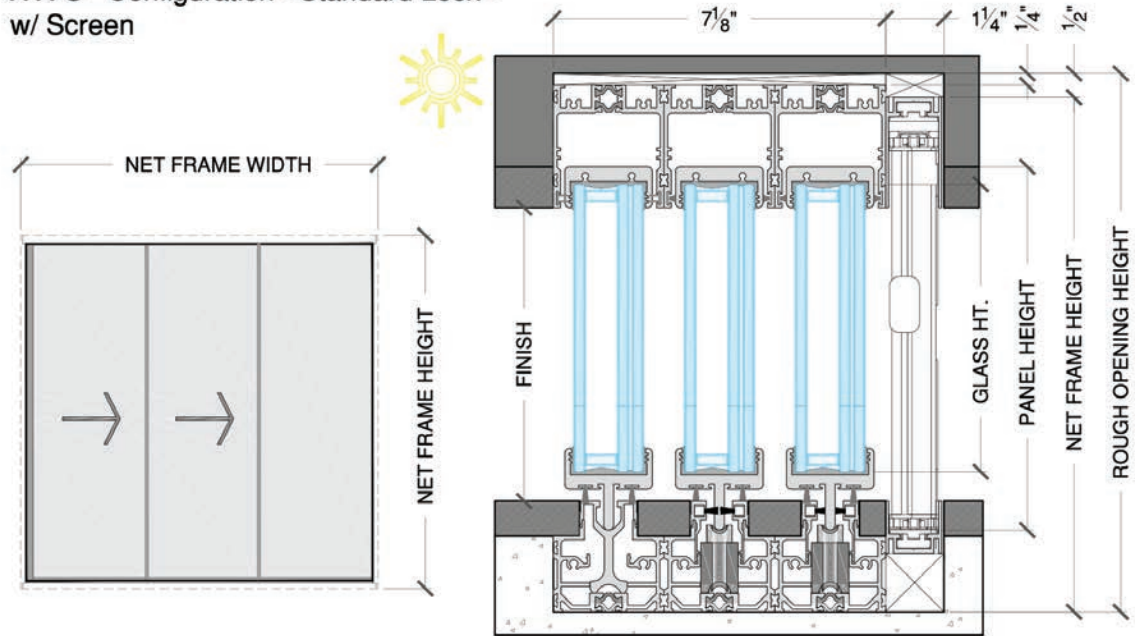
HARDWARE

Hardware designed to be convenient, durable, minimal, and attractive, Twin-point locking levers are either concealed, or exposed. Multi-point locking hardware is available with our IP Lead-Stile. The system is available with motorization options in all configurations.

DISAPPEARING SCREEN

An insect screen cartridge is available which “disappears” into the locking jamb. The screen is pleated and folds into a 5” cartridge attached to the jamb. When you want fresh air, you simply slide the door open and pull the screen out. Just close the door and the screen disappears.

XXO Configuration - Standard Lock - w/ Screen



5000 Sublinear Pivot System

SUBLINEAR PIVOT DOOR

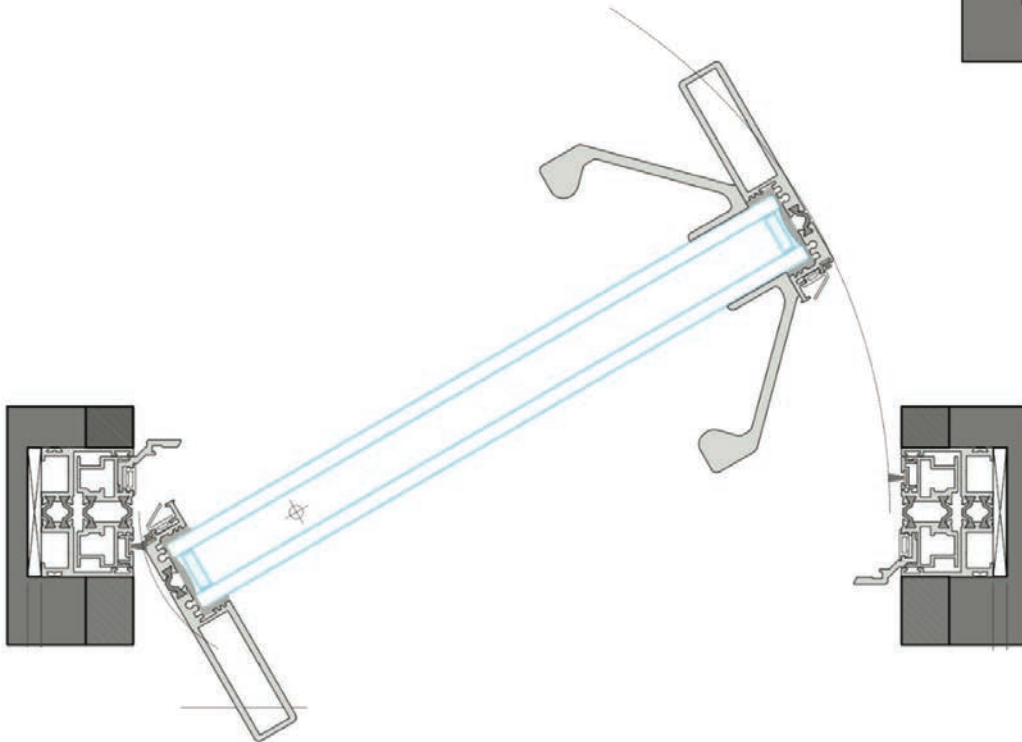
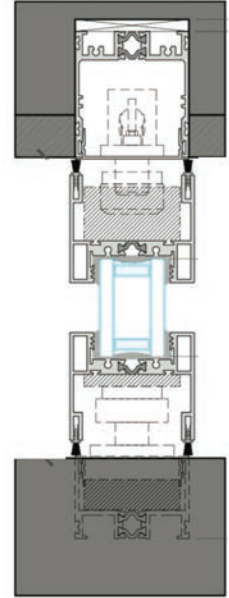
Designed to integrate with the sliding system, the pivot door is a minimal frame system with recessed frame assembly and capable of large panel sizes.

HARDWARE

Heavy-duty pivoting hardware is standard, with automatic closers optional. Multi-point and electronic locking options are available.

CONFIGURATIONS

Doors are available as stand-alone, or in combination with fixed or sliding panels in numerous configurations.





6000 Series Traditional Swing Door

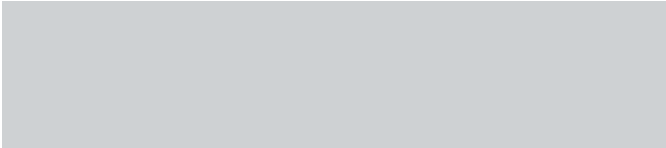
6000P PIVOT
6000H HINGED

The 6000 Series doors perform excellently in both commercial and residential applications. Both styles of doors are designed to integrate seamlessly with our 4580 Series window products.

FEATURES & BENEFITS

- Maximum security lock
- Emtek levers are standard on single-hinged doors
- Square offset straight pulls are standard with pairs
- Available in in-swing or out-swing configurations
- Hardware is standard in polished chrome, brushed stainless, or matte black
- Custom finishes upon request
- Optional automatic closers
- ADA compliant threshold

Finishes



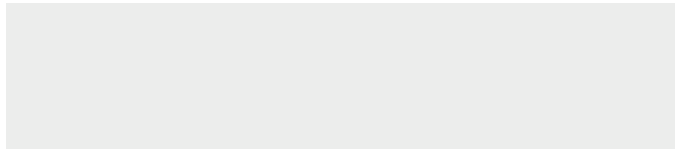
CLEAR ANODIZED CLASS I (IN STOCK)



DARK BRONZE ANODIZED CLASS I (IN STOCK)



DESERT TAN (STANDARD OPTION)



SKY WHITE (STANDARD OPTION)



CUSTOM FINISHES AVAILABLE







Monumental Windows and Doors™
A Division of Glazcon Production, Inc.
39770 Garand Lane, Palm Desert CA 92211

(760)360-3589
info@monumentalwd.com
www.monumentalwd.com

